

**SPECIFICATIONS**

**Modular Jack**

**Mechanical**

**Mating Force:** 4.5Pounds max.(RJ45) 7.7Pounds max.(USB)  
**Unmating Force:** 4.5Pounds max.(RJ45) 2.2Pounds min.(USB)  
**Durability:** 1000 Cycles(RJ45) 1500 Cycles(USB)

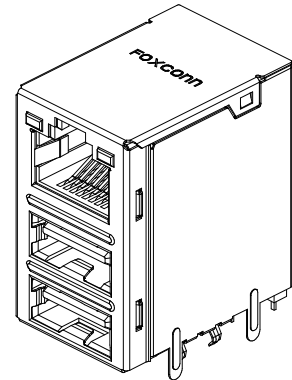
**Electrical**

**Current Rating:** 1.5A max.(RJ45) 1.0A(USB)  
**Dielectric Withstanding Voltage:** 1000V(RJ45) 500V(USB)

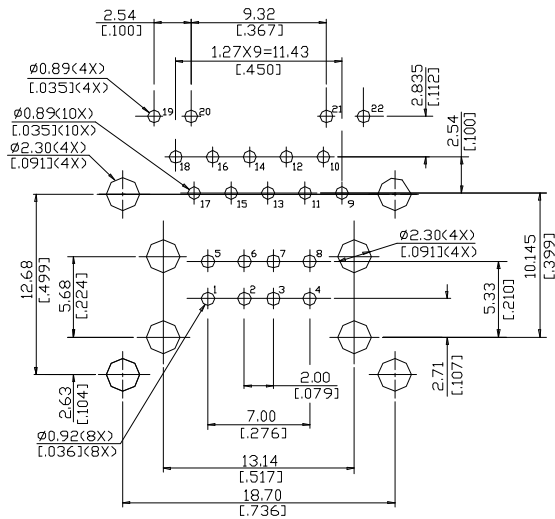
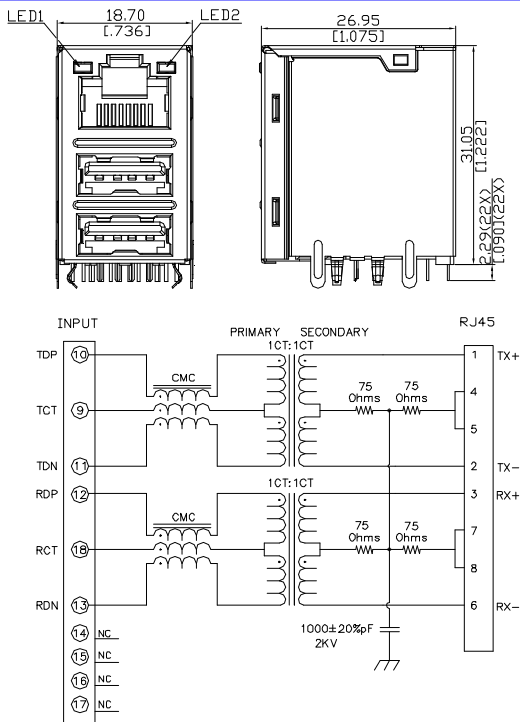
**Physical**

**Housing:** Thermoplastic, UL 94V-0 rated in Black Color  
**Contact:** Copper Alloy  
**Shell:** Stainless Steel, Copper Alloy  
**Operating Temperature:** -30°C to +85°C

**JFM Series**  
**RJ45 Over Dual USB**  
**R/A, T/H Type**  
**1.27mm [.050"] Pitch**  
**10/100 Base-T**

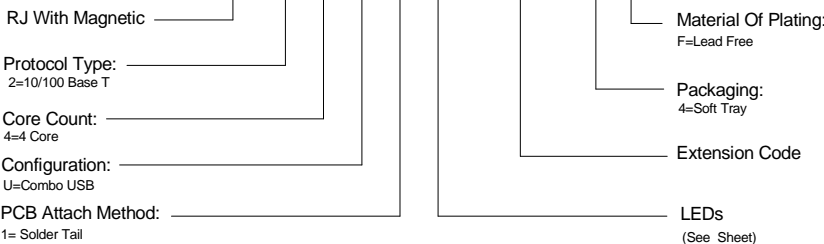


**DRAWING**



**ORDERING INFORMATION**

PRODUCT NO.: JFM 2 4 U 1 \* - 21C3 - 4 F



JFM24U1K-21C3-4F	19 ORANGE	20	21 GREEN	22
JFM24U1J-21C3-4F	19 GREEN	20	21 GREEN	22
JFM24U1H-21C3-4F	19 ORANGE	20	21 GREEN	22
JFM24U1G-21C3-4F	19 YELLOW	20	21 GREEN	22
JFM24U1F-21C3-4F	19 GREEN	20	21 ORANGE	22
JFM24U1B-21C3-4F	19 GREEN	20	21 YELLOW	22
JFM24U1A-21C3-4F	19 GREEN	20	21 YELLOW	22
JFM24U14-21C3-4F	19 YELLOW	20	21 YELLOW	22
JFM24U13-21C3-4F	19 GREEN	20	21 YELLOW	22
JFM24U12-21C3-4F	19 GREEN	20	21 GREEN	22
JFM24U11-21C3-4F	19 YELLOW	20	21 GREEN	22
JFM24U10-21C3-4F	NONE		NONE	
PART NO.	LED1		LED2	